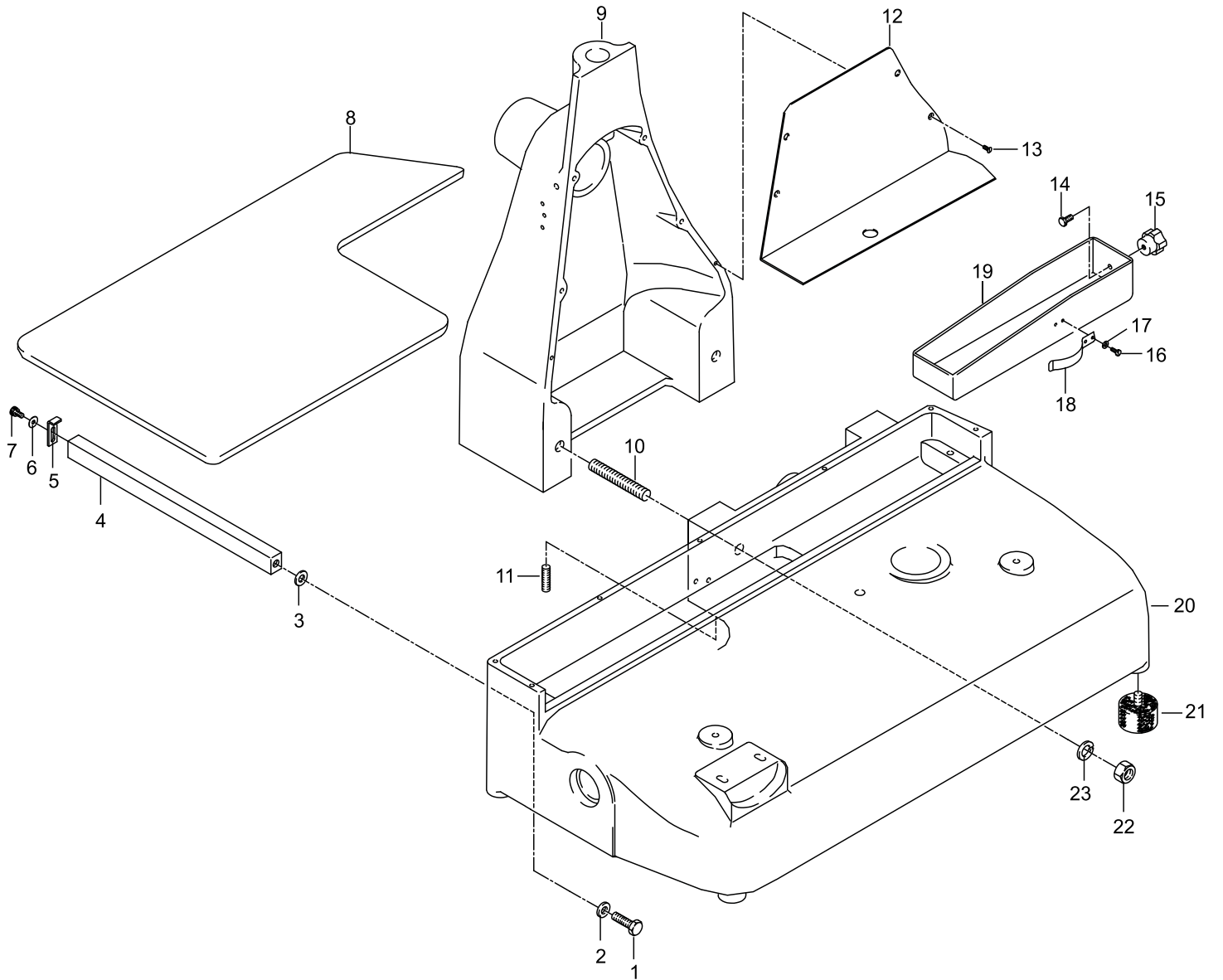


Parts Breakdown

Model MS-IT-0370-M 18830

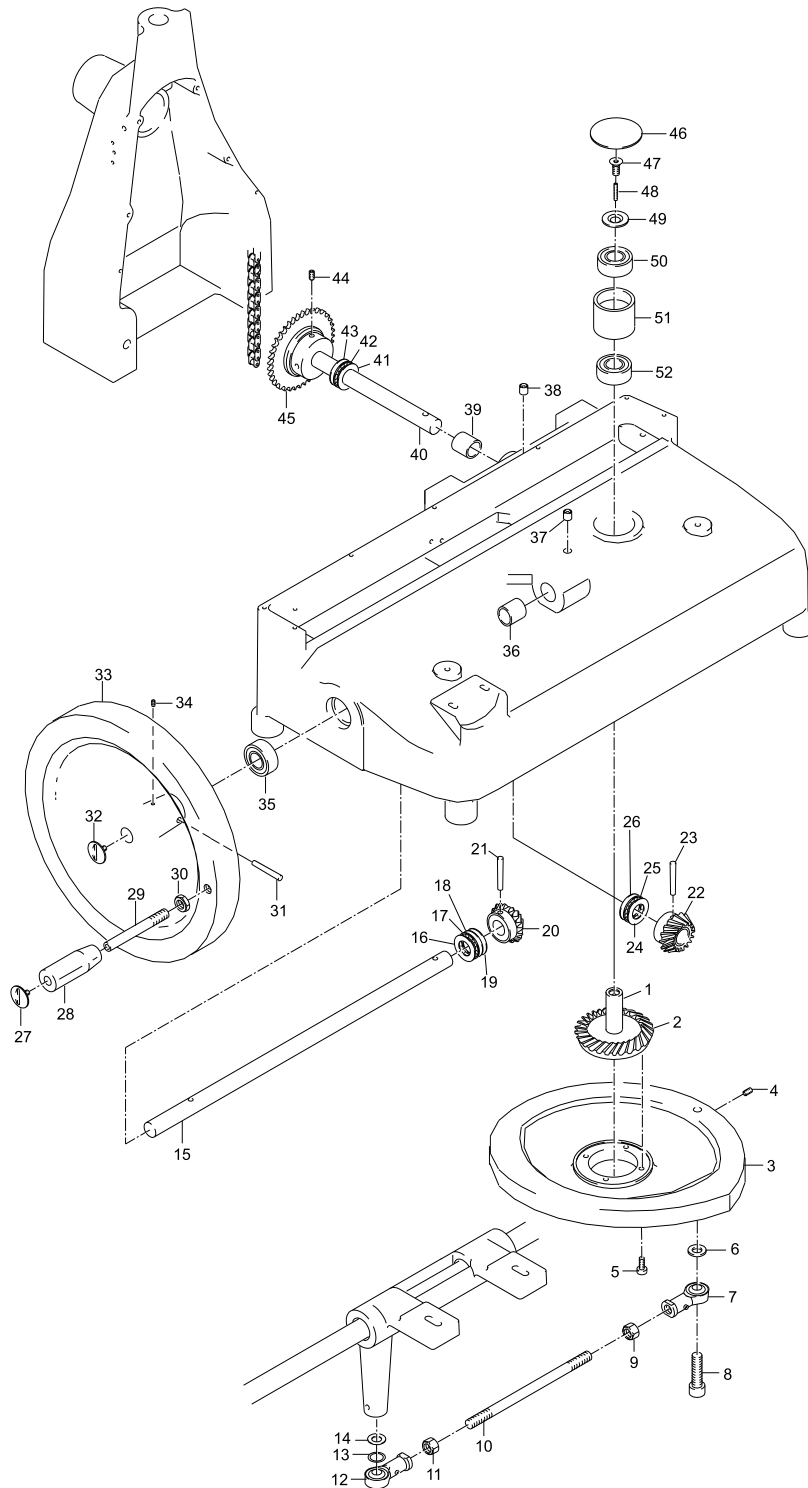
Stand



Parts Breakdown

Model MS-IT-0370-M 18830

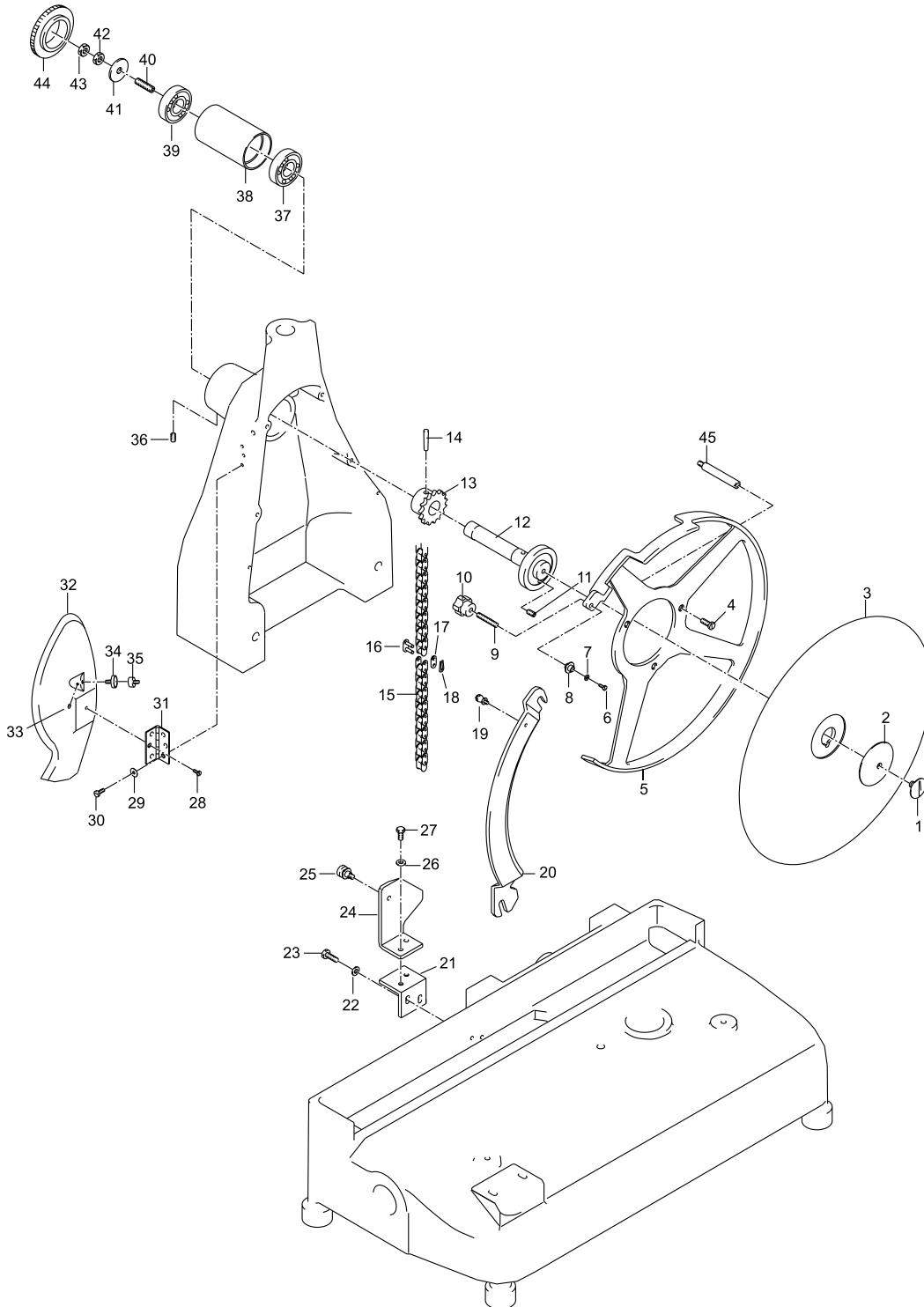
Flywheel



Parts Breakdown

Model MS-IT-0370-M 18830

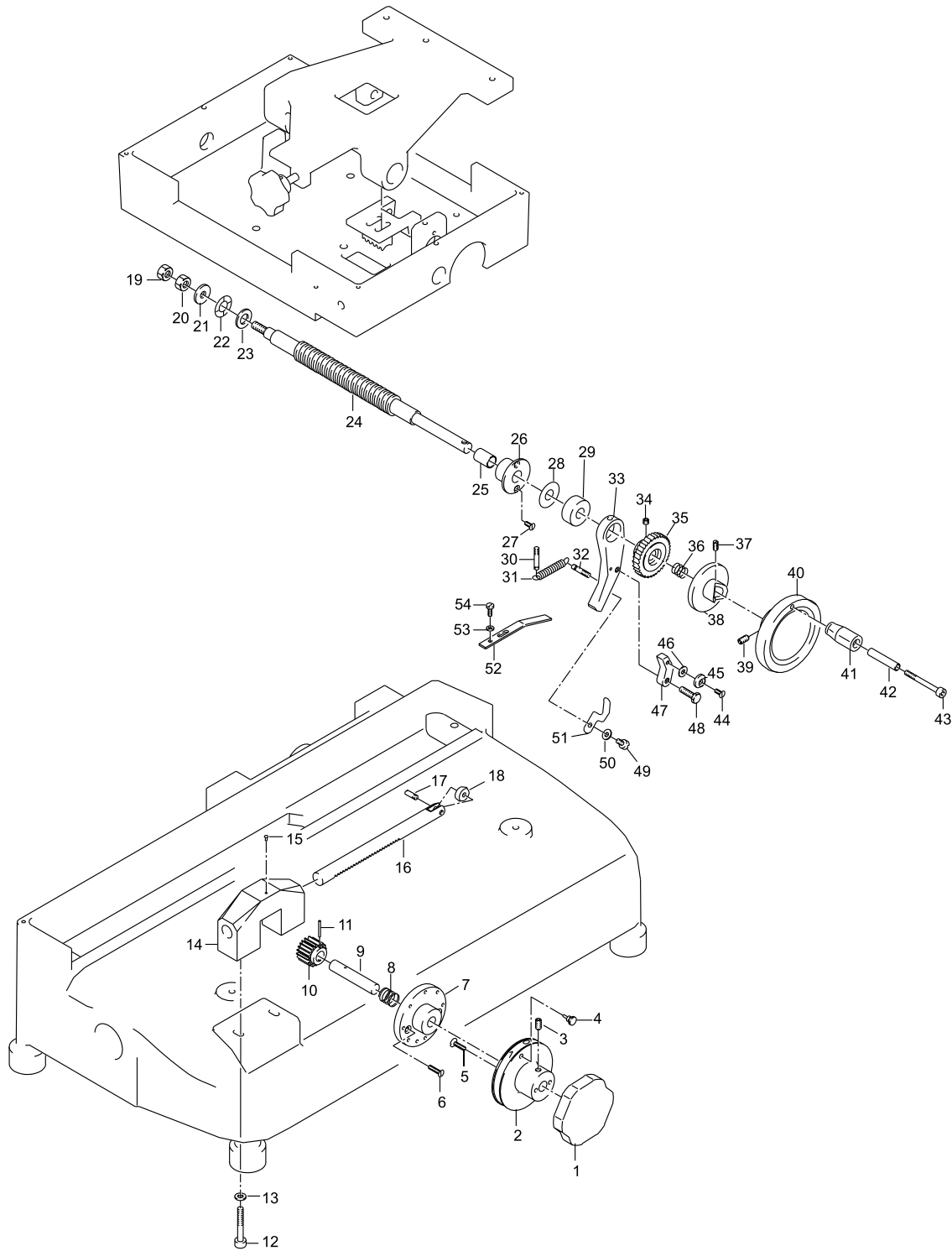
Blade Assembly



Parts Breakdown

Model MS-IT-0370-M 18830

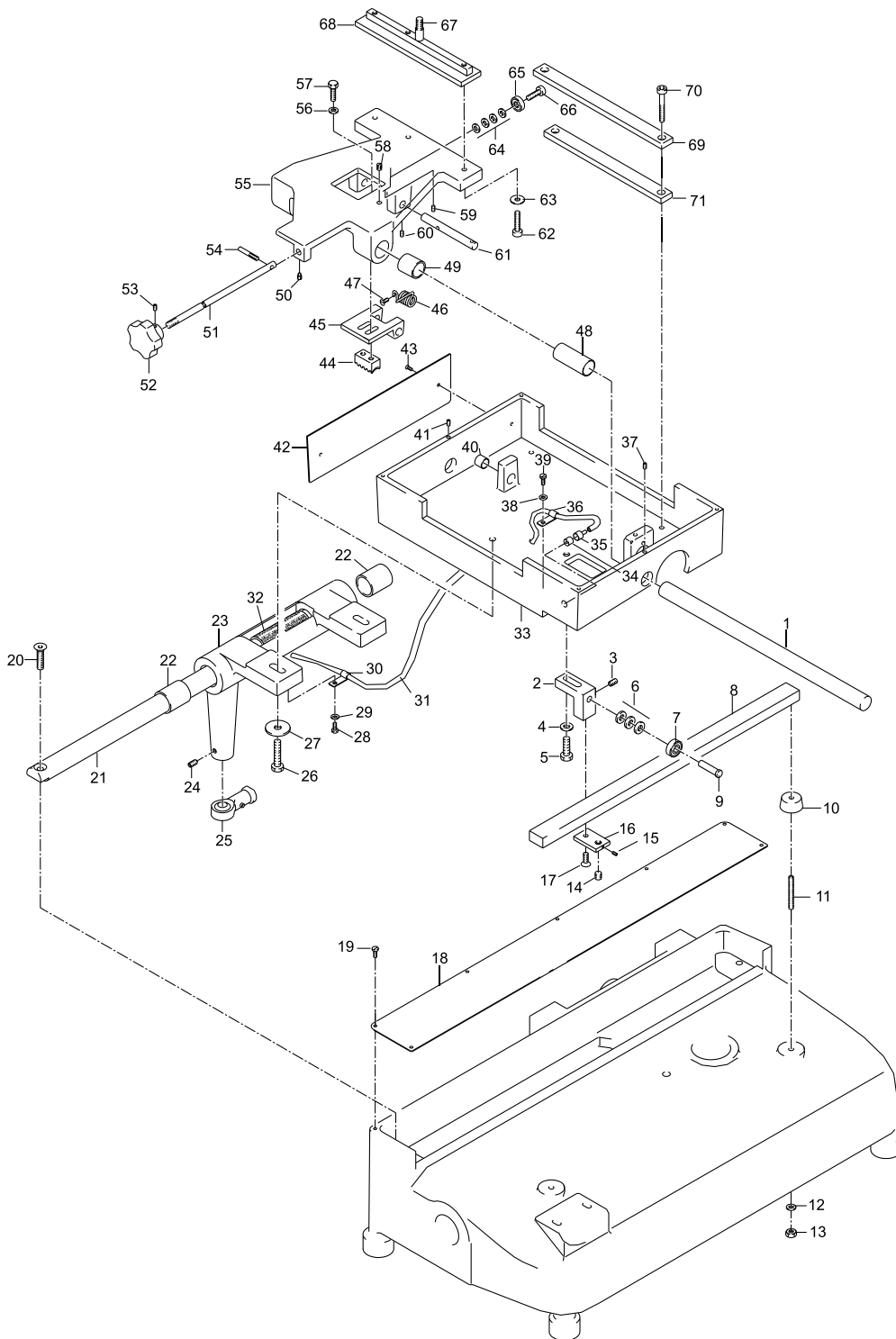
Advancement Cart



Parts Breakdown

Model MS-IT-0370-M 18830

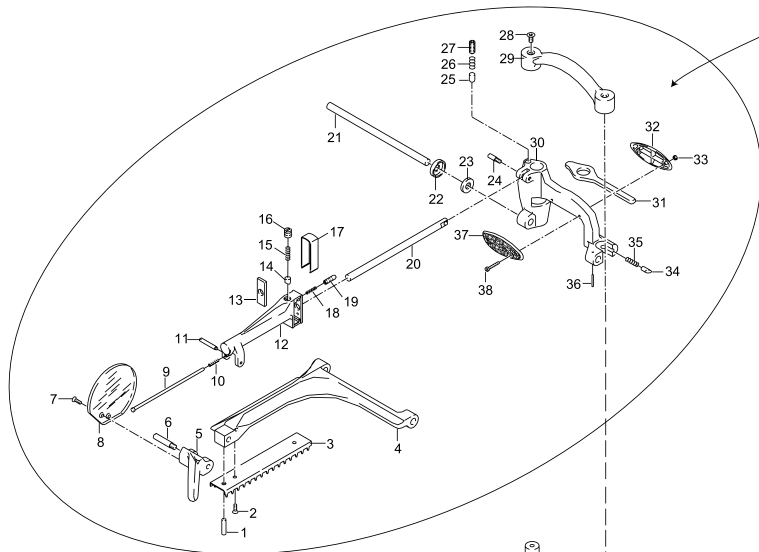
Cart



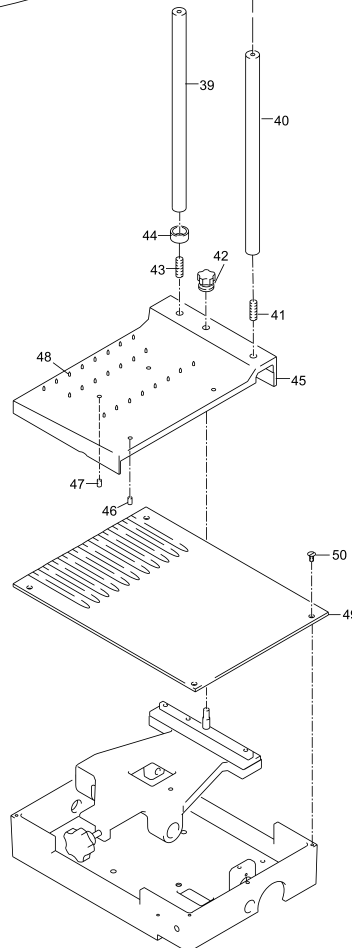
Parts Breakdown

Model MS-IT-0370-M 18830

Meat Tray Assembly



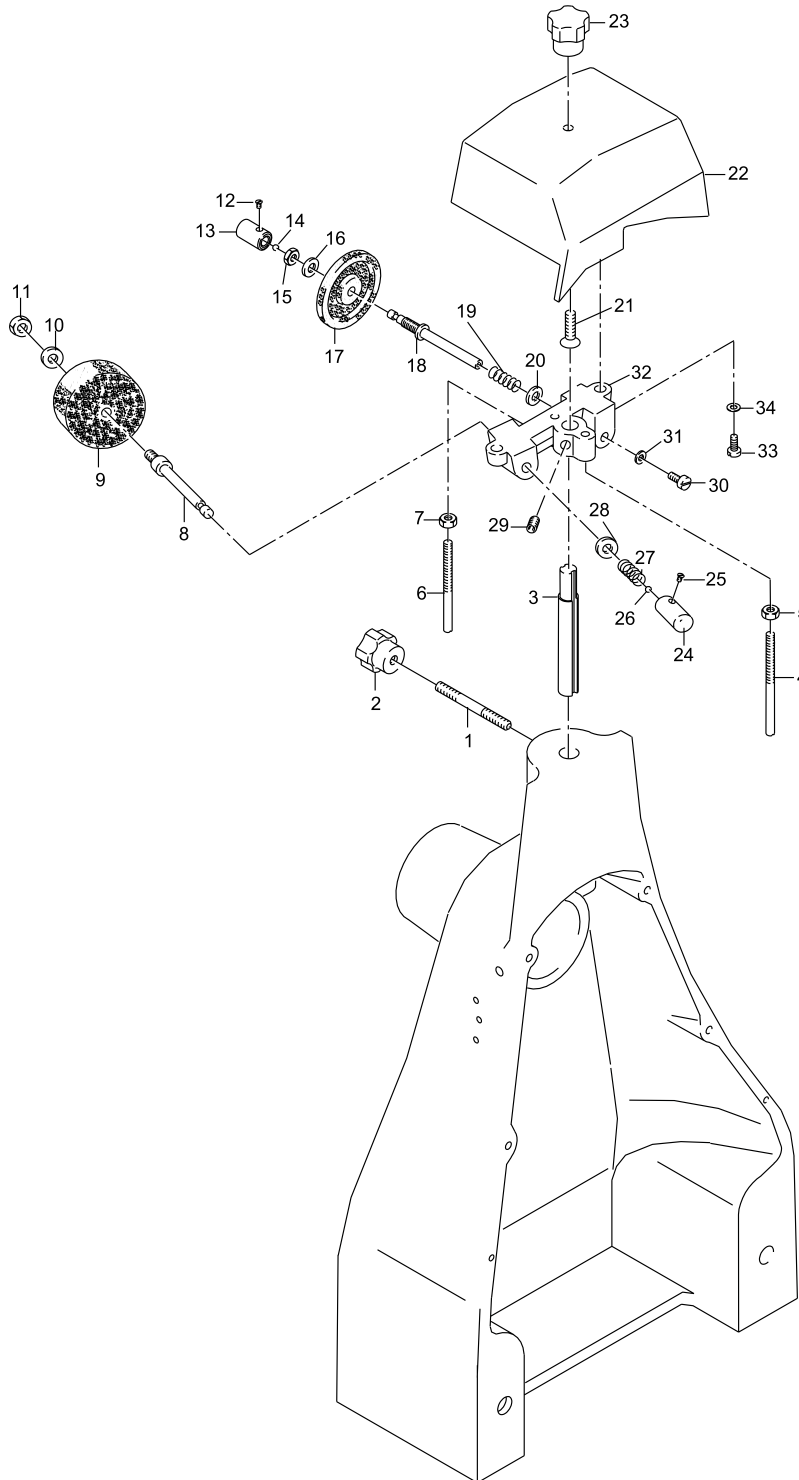
Sold Complete
(33818)



Parts Breakdown

Model MS-IT-0370-M 18830

Sharpening Assembly

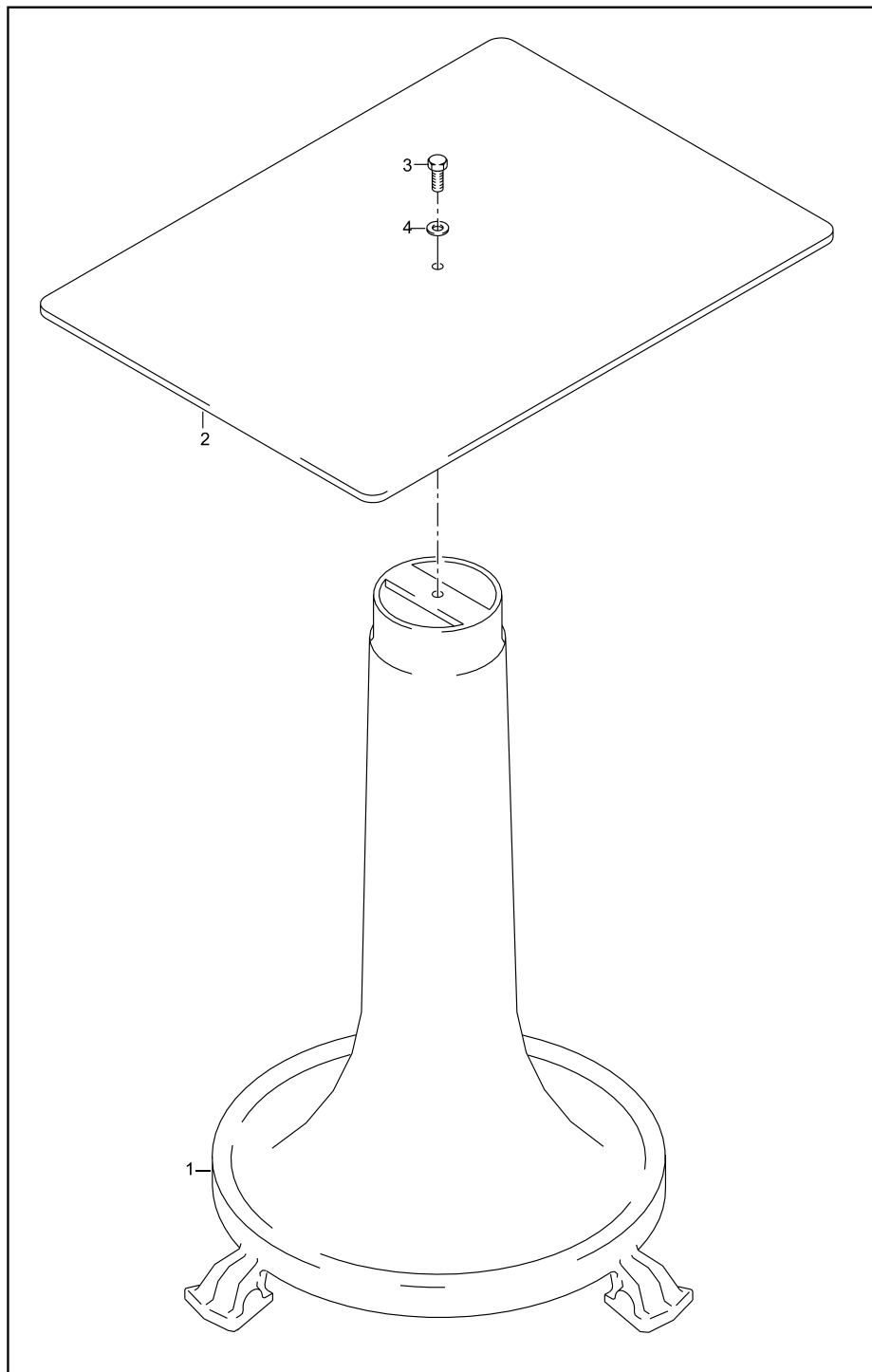


Parts Breakdown

Model **MS-IT-0370-M** 18830

Support Stand

Sold Complete



Parts Breakdown

Model MS-IT-0370-M 18830

Stand

Item No.	Description	Position	Item No.	Description	Position	Item No.	Description	Position
33572	Screw TE for 18830	1	33580	Blade Assembly Casing for 18830	9	33588	Washer for 18830	17
33573	Washer for 18830	2	33581	Pin for 18830	10	33589	Spring for 18830	18
33574	Washer for 18830	3	33582	Pin for 18830	11	33590	Tray for 18830	19
33575	Square Bar Support for Plate for 18830	4	33583	Chain Guard for 18830	12	33591	Housing for 18830	20
33576	Plate Stop for 18830	5	33584	Screw for 18830	13	33592	Foot for 18830	21
33577	Washer for 18830	6	33585	Screw for 18830	14	33593	Nut for 18830	22
33578	Screw for 18830	7	33586	Thumb Screw for 18830	15	33594	Washer for 18830	23
33579	Tray for 18830	8	33587	Screw for 18830	16			

Flywheel

Item No.	Description	Position	Item No.	Description	Position	Item No.	Description	Position
33595	Gear Pivot for 18830	1	33613	Axial Bearing for 18830	19	33631	Oiler for 18830	37
33596	Gear for 18830	2	33614	Gear for 18830	20	33632	Oiler for 18830	38
33597	Rod / Counter for 18830	3	33615	Tapped Pin for 18830	21	33633	Bushing for 18830	39
33598	Set Screw for 18830	4	33616	Gear for 18830	22	33634	Gear Shaft for 18830	40
33599	Screw for 18830	5	33617	Tapped Pin for 18830	23	33635	Axial Bearing for 18830	41
33600	Washer for 18830	6	33618	Axial Bearing for 18830	24	33636	Axial Bearing for 18830	42
33601	Joint for 18830	7	33619	Axial Bearing for 18830	25	33637	Axial Bearing for 18830	43
33602	Screw for 18830	8	33620	Axial Bearing for 18830	26	33638	Set Screw for 18830	44
33603	Nut for 18830	9	33621	Screw Chrome for 18830	27	33639	Gear for 18830	45
33604	Pin for 18830	10	33622	Meat Grip Handle for 18830	28	33640	Cap for 18830	46
33605	Nut for 18830	11	33623	Pin for 18830	29	33641	Screw for 18830	47
33606	Joint for 18830	12	33624	Nut for 18830	30	33642	Pin for 18830	48
33607	Washer for 18830	13	33625	Tapped Pin for 18830	31	33643	Washer for 18830	49
33608	Washer for 18830	14	33626	Screw Chrome for 18830	32	33644	Bearing for 18830	50
33609	Carriage Slide Bar for 18830	15	33627	Fly Wheel for 18830	33	33645	Spacer for 18830	51
33610	Axial Bearing for 18830	16	33628	Set Screw for 18830	34	33646	Bearing for 18830	52
33611	Axial Bearing for 18830	17	33629	Bearing for 18830	35			
33612	Axial Bearing for 18830	18						

Parts Breakdown

Model MS-IT-0370-M 18830

Blade Assembly

Item No.	Description	Position	Item No.	Description	Position	Item No.	Description	Position
33647	Screw Chrome for 18830	1	33662	Chain Link for 18830	16	33677	Hinge for 18830	31
33648	Blade Washer for 18830	2	33663	Chain Link for 18830	17	33678	Meat Defector for 18830	32
16653	Blade mm.370/57/4/300 Lip 1" for 18830	3	33664	Chain Link for 18830	18	33679	Set Screw for 18830	33
33650	Screw TC 5x10 for 18830	4	33665	Thumb Screw for 18830	19	33680	Screw for 18830	34
33651	Bladering Guard for 18830	5	33666	Blade Guard for 18830	20	33681	Screw for 18830	35
33652	Screw for 18830	6	33667	Bracket for 18830	21	33682	Set Screw for 18830	36
33653	Washer for 18830	7	33668	Washer for 18830	22	33683	Bearing for 18830	37
33654	Spacer for 18830	8	33669	Screw for 18830	23	33684	Bearing Sleeve	38
33655	Set Screw for 18830	9	33670	Bracket for 18830	24	33685	Bearing for 18830	39
33656	Thumb Screw for 18830	10	33671	Screw for 18830	25	33686	Pin for 18830	40
33657	Set Screw for 18830	11	33672	Washer for 18830	26	33687	Washer for 18830	41
33658	Bearing and Shaft for 18830	12	33673	Screw for 18830	27	33688	Nut for 18830	42
33659	Gear Pig Z 15 for 18830	13	33674	Screw for 18830	28	33689	Nut for 18830	43
33660	Tapered Pin for 18830	14	33675	Washer for 18830	29	33690	Blade Shaft Cap for 18830	44
33661	Chain for 18830	15	33676	Screw for 18830	30	37437	Pin for 18830	45

Advancement Cart

Item No.	Description	Position	Item No.	Description	Position	Item No.	Description	Position
33764	Index Knob for 18830	1	33782	Nut for 18830	19	33800	Set Screw for 18830	37
33765	Indicator Numbers for 18830	2	33783	Nut for 18830	20	33801	Wheel Plate for 18830	38
33766	Set Screw for 18830	3	33784	Washer for 18830	21	33802	Set Screw for 18830	39
33767	Screw for 18830	4	33785	Wavy Washer for 18830	22	33803	Fly Wheel for 18830	40
33768	Screw for 18830	5	33786	Washer for 18830	23	33804	Handle for 18830	41
33769	Screw for 18830	6	33787	Feed Screw Shaft for 18830	24	33805	Pin for 18830	42
33770	Cam for 18830	7	33788	Bushing for 18830	25	33806	Socket Head Screw for 18830	43
33771	Spring for 18830	8	33789	Feed Screw Bushing for 18830	26	33807	Screw for 18830	44
33772	Pin for 18830	9	33790	Screw for 18830	27	33808	Nut for 18830	45
33773	Gear for 18830	10	33791	Washer for 18830	28	33809	Washer for 18830	46
33774	Tapered Pin for 18830	11	33792	Spacer for 18830	29	33810	Small Skip Latch for 18830	47
33775	Screw for 18830	12	33793	Pin for 18830	30	33811	Screw for 18830	48
33776	Washer for 18830	13	33794	Spring for 18830	31	33812	Screw for 18830	49
33777	Index Mount for 18830	14	33795	Pin for 18830	32	33813	Washer for 18830	50
33778	Rivet for 18830	15	33796	Large Skip Latch for 18830	33	33814	Spring for 18830	51
33779	Cam Pin for 18830	16	33797	Set Screw for 18830	34	33815	Spring for 18830	52
33780	Set Screw for 18830	17	33798	Gear for 18830	35	33816	Washer for 18830	53
33781	Bearing PVC for 18830	18	33799	Spring for 18830	36	33817	Screw for 18830	54



Parts Breakdown

Model **MS-IT-0370-M** 18830

Cart

Item No.	Description	Position	Item No.	Description	Position	Item No.	Description	Position
33691	Rod for 18830	1	33716	Screw for 18830	26	33741	Rod for 18830	51
33692	Sharpener Support Bracket for 18830	2	33717	Washer for 18830	27	33742	Knob for 18830	52
33693	Set Screw for 18830	3	33718	Screw for 18830	28	33743	Set Screw for 18830	53
33694	Washer for 18830	4	33719	Washer for 18830	29	33744	Pin for 18830	54
33695	Screw for 18830	5	33720	Wire Bracket for 18830	30	33745	Slide for 18830	55
33696	Washer for 18830	6	33721	Cable for 18830	31	33746	Washer for 18830	56
33697	Bearing for 18830	7	33722	Wick for 18830	32	33747	Screw for 18830	57
33698	Carriage Rail for 18830	8	33723	Plate Base for 18830	33	33748	Set Screw for 18830	58
33699	Pin for 18830	9	33724	Screw for 18830	34	33749	Set Screw for 18830	59
33700	Foot for 18830	10	33725	Screw for 18830	35	33750	Set Screw for 18830	60
33701	Pin for 18830	11	33726	Wire Bracket for 18830	36	33751	Tapered Pin for 18830	61
33702	Washer for 18830	12	33727	Set Screw for 18830	37	33752	Screw for 18830	62
33703	Nut for 18830	13	33728	Washer for 18830	38	33753	Washer for 18830	63
33704	Set Screw for 18830	14	33729	Screw for 18830	39	33754	Washer for 18830	64
33705	Set Screw for 18830	15	33730	Bushing for 18830	40	33755	Bearing for 18830	65
33706	Flat Bracket for 18830	16	33731	Set Screw for 18830	41	33756	Pin for 18830	66
33707	Screw for 18830	17	33732	Bottom Plate Cover for 18830	42	33757	Pin for 18830	67
33708	Slide Bar Cover for 18830	18	33733	Screw for 18830	43	33758	Mount for 18830	68
33709	Screw for 18830	19	33734	Comb Block for 18830	44	33759	Plate for 18830	69
33710	Screw for 18830	20	33735	Support Mount for 18830	45	33760	Screw for 18830	70
33711	Carriage Slide Bar for 18830	21	33736	Spring for 18830	46	33761	Plate for 18830	71
33712	Bushing for 18830	22	33737	Screw for 18830	47	33762	Washer for 18830	73
33713	Carriage Support for 18830	23	33738	Bushing for 18830	48	33763	Washer for 18830	74
33714	Set Screw for 18830	24	33739	Bushing for 18830	49			
33715	Joint for 18830	25	33740	Set Screw for 18830	50			

Meat Tray Assembly

Item No.	Description	Position	Item No.	Description	Position	Item No.	Description	Position
33818	Complete Arm Assembly for 18830	1 - 38	33823	Set Screw for 18830	43	33827	Set Screw for 18830	47
33819	Column for 18830	39 - 40	33824	Spacer for 18830	44	33828	Steel Pin for 18830	48
33821	Set Screw for 18830	41	33825	Top Plate for 18830	45	33829	Bottom Plate for 18830	49
33822	Tightening Knob for 18830	42	33826	Set Screw for 18830	46	33830	Screw for 18830	50

Parts Breakdown

Model MS-IT-0370-M 18830

Sharpening Assembly

Item No.	Description	Position	Item No.	Description	Position	Item No.	Description	Position
33831	Pin for 18830	1	33843	Sharpener Push Button for 18830	13	33855	Push Button Screw for 18830	25
33832	Knob for 18830	2	33844	Ball Bearing for 18830	14	33856	Ball Bearing for 18830	26
33833	Shaft for Sharpener for 18830	3	33845	Nut for 18830	15	33857	Spring for 18830	27
33834	Pin for 18830	4	33846	Washer for 18830	16	33858	Washer for 18830	28
33835	Nut for 18830	5	33545	45x13x6 Sharpening Stone for 18830	17	33859	Set Screw for 18830	29
33836	Pin for 18830	6	33848	Sharpener Pin for 18830	18	33860	Screw for 18830	30
33837	Nut for 18830	7	33849	Spring for 18830	19	33861	Washer for 18830	31
33838	Sharpener Pin for 18830	8	33850	Washer for 18830	20	33862	Sharpener Body for 18830	32
18016	Omcan G Stone 50x08x06 for 18830	9	33851	Screw for 18830	21	33863	Screw for 18830	33
33840	Washer for 18830	10	33852	Sharpener Cover for 18830	22	33864	Washer for 18830	34
33841	Nut for 18830	11	33853	Sharpener Cover Knob for 18830	23			
33842	Push Button Screw for 18830	12	33854	Sharpener Push Button for 18830	24			

Support Stand

Item No.	Description	Position
33865	Pedestal Base for 18830	1 - 4